



The pages in this document have been extracted from a larger document and as such any page numbers are relevant only to the original document.

HENGSTLER

Rotary Encoder Solutions Limited
Dutton Road
Redwither Business Park
Wrexham
LL13 9UL

tel: +44(0) 1978 664722
fax: +44(0) 1978 664733
email: sales@rotaryencodersolutions.com
web: www.rotaryencodersolutions.com

Rotary Encoder Solutions is part of the Industrial Encoders Direct Ltd. Group of Companies and is trading as Industrial Encoders Direct Ltd

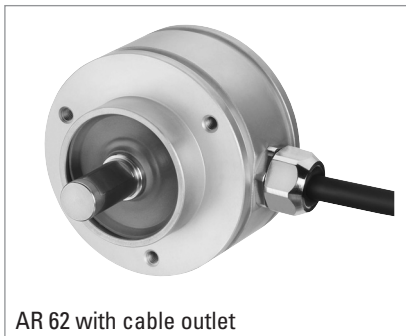
The information shown in this document is for reference purposes only and forms no contractual obligation. Any detail in this document may be changed without prior notice. No liability is accepted for any information contained in this document.



HENGSTLER

TECHNICAL DATASHEET

HD - Absolute Encoder AR 62/63 - Analogue



AR 62 with cable outlet



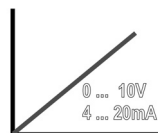
AR 62 with M12 connector

GENERAL INFORMATION

- Singleturn 12 Bit Resolution
- 300 N axial and radial load
- 200 g shock resistance
- 20 g vibration resistance
- Submersible: Protection class up to IP69k
- High temperature range: -40 ... +100°C
- Compact design: 32 mm mounting depth
- Option: Stainless steel housing
- Option: Control inputs Preset and Direction

ACURO®-XR HENGSTLER *robust*

HEAVY DUTY



ACURO-XR - THE ROBUST ENCODER FOR ALL ENVIRONMENTAL CONDITIONS!

The special features of the new ACURO-XR series not only comprise its particularly rugged enclosure, but also generously dimensioned, rigid ball-bearings. Capable of withstanding even high axial and radial loads on its shaft axis, this encoder type easily achieves a mechanical life of 10^9 rotations at a permanent radial load of 200 N and simultaneously, an axial load of 200N.

The newly designed ACURO-XR makes a difference. It easily withstands highest accelerations, extreme climatic fluctuations and even underwater operation. In this way, our rugged absolute encoder is ideally suitable for applications in wind farms, marine or utility vehicle applications, as well as for use in presses or wood and stone processing machinery: applications where high resistance to harsh environments and maximum reliability are required at the same time.

The AR62 is electrically compatible with standard encoders and operates with the magnetic technology. Available interfaces are SSI, BiSS, CANopen and Analogue (0 ... 10 V or 4 ... 20 mA).

With an installed depth of only 32 mm, this encoder is the most compact type in its class. Valuable space has been saved – to the benefit of the overall machinery design.

APPLICATIONS

Fields of application that clearly unfold the benefits of ACURO-XR:

- Construction machinery
- Utility vehicles / trucks
- Gantry cranes
- Marine equipment
- Offshore plants
- Wind power plants
- Commercial solar plants
- Food & Beverage Industry
- Filling plants
- Presses
- Your individual application

TECHNICAL DATASHEET

HD - Absolute Encoder AR 62/63 - Analogue

TECHNICAL DATA mechanical

Housing diameter	58 mm
Mounting depth	32 mm
Shaft diameter	10 mm / 12 mm (Solid shaft)
Flange (Mounting of housing)	Synchro clamping flange
Protection class shaft input (EN 60529)	IP67 or IP69k
Protection class housing (EN 60529)	IP67 or IP69k
Shaft load axial / radial	max.: 300 N / 300 N
Max. speed	max. 5000 rpm
Vibration resistance (DIN EN 60068-2-6)	200 m/s ²
Shock resistance (DIN EN 60068-2-27)	2000 m/s ² (6 ms)
Operating temperature	-40 °C ... +100 °C
Connection	Cable, radial M12-connector, radial

TECHNICAL DATA electrical

Supply voltage	DC 17 - 30 V
Max. current w/o load	50 mA (24 V)
EMC	EN 61326 Class A
Resolution singleturn	12 Bit
Interface	Analogue: 0 ... 10 V, Analogue: 4 ... 20 mA
Tolerance	Voltage output: 0 V: + 100 mV; 10 V: +/- 100 mV Current output: 4 mA ± 100 µA typ; 20 mA ± 100 µA typ
Load resistor	Voltage output: max. 2 kΩ Current output: max. 600 Ω (Output current max. 5 mA)
Repeatability	±0,2°
Control inputs ¹	Direction, Preset
Updating of values	updating every millisec (continuously)

¹ Preset, Direction optional available

ELECTRICAL CONNECTIONS Analogue

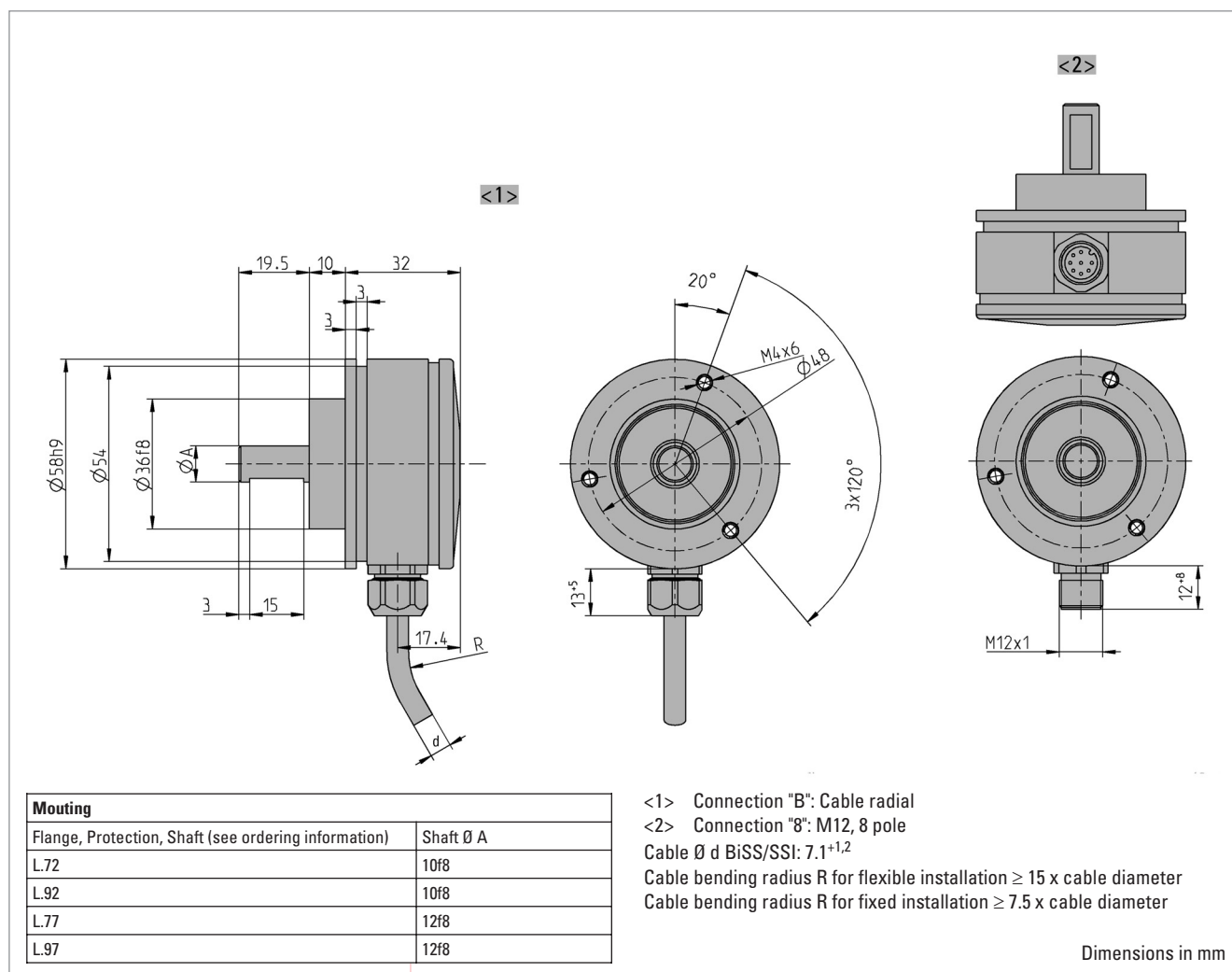
Color Cable	Cable pairs	Signal
pink	Pair 1	0 ... 10 V (Voltage output max. 5 mA)
blau		0 ... 20 mA or 4 ... 20 mA (current output)
grey	Pair 2	AGND
red		preset (set to 0)
white		UB
brown	Pair 3	0 V
yellow ¹		Diagnostic 1
green ¹		Diagnostic 2
Screen	Screen	Screen

¹ Diagnostic signals only for service purposes. The cable wires have to be isolated.

TECHNICAL DATASHEET

HD - Absolute Encoder AR 62/63 - Analogue

DIMENSIONED DRAWINGS



ORDERING INFORMATION

Type	Resolution	Supply voltage	Flange, Protection, Shaft	Interface	Connection ^{1,2}
AR62 Alumi- num AR63 Stainless Steel	0012 12 Bit ST	F DC 17 - 30 V	L.72 Synchro clamping, IP67, 10 mm L.77 Synchro clamping, IP67, 12 mm L.92 Synchro clamping, IP69k, 10 mm L.97 Synchro clamping, IP69K, 12 mm	AV Analogue 0 ... 10 V A0 Analogue 0 ... 20 mA A4 Analogue 4 ... 20 mA	B Cable, radial 8 M12 connec- tor, 8 pole, radial

¹ M12 connector not available with Stainless Steel housing (AR63)

² M12 connector is not available with IP69K

TECHNICAL DATASHEET**HD - Absolute Encoder AR 62/63 - Analogue****ORDERING INFORMATION**
Selection of cable length

Versions with cable outlet (connection A, B, E or F) are available with various lengths of cable. To order your desired cable length, please add the respective code to the end of your ordering code. Further cable lengths on request.

Code	Cable length
without code	1.5 m
-D0	3 m
-F0	5 m
-K0	10 m
-P0	15 m
-U0	20 m
-V0	25 m